



Low-intensity Tower Light

Features

- LI, Type A, 10 cd, red (ICAO, 5th edition)
- Hindernisfeuer ES, 10 cd, red (AVV, 2015)
- LI, Type B, 32 cd, red (ICAO, 5th edition) (STAC)
- LI, Type B, 50 cd, red (ICAO, 5th edition)
- IR, 25 mW/sr
- Easy connection with push terminals
- Design Lifetime 25 years
- Lamp status signal
- Maintenance free
- Corrosion resistant materials for all surfaces
- Highly UV and ozone resistant optical units and seals
- Salt water resistant

Optical properties

Intensity:	
» Light color red:	10 cd, 32 cd, 50 cd
» Light color IR:	25 mW/sr
Horizontal beam spread:	> 184°
Vertical beam spread:	> 12°

Electrical properties

Supply voltage:	24 V DC
Average power consumption:	Approx. 5 W

Environmental properties

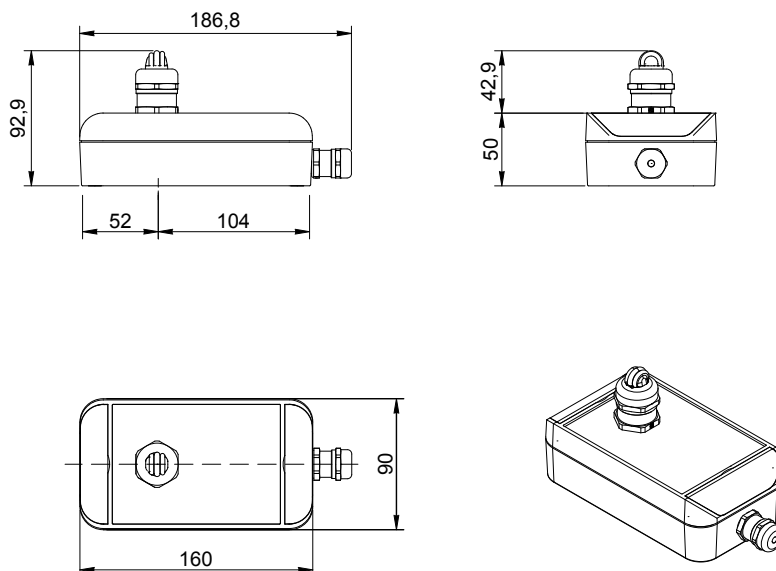
Protection class:	IP 65 / EN 60529
Operating temperature:	-40 °C to +60 °C
Relative humidity:	0 to 100 % r.H.
Max. wind load:	80 m/s
Max. solar radiation:	1000 W/m ²
Corrosion class:	C5 (ISO 9223)
Vibration:	EN 60068-2-6, 60068-2-64, Nordtest 016G, M102
Operating altitude:	0 to 3200 m

Version: September 2018 / Subject to alterations.

Mechanical properties

Dimensions (H x W x D):	186.8 mm x 156 mm x 96.9 mm
Weight:	Approx. 500 g
Material (housing):	Luran®, saltwater resistant
Colour (housing):	RAL 7035, light grey
Cover:	Undetachable
Mounting:	4x M4 to screw on customer-specific mounting plates
Locking:	Four screws stainless steel 1.4567, captive

Sketch



Connection

Cable Gland:	M16x1,5
External connection:	WAGO 294 Series Power Supply Terminal Block

PIN	Signal	Function
1	24 V U+	Supply voltage
2	Status signal	24 V present at this pin when lights work in normal conditions. GND in case of an error or failure
3	GND	Ground